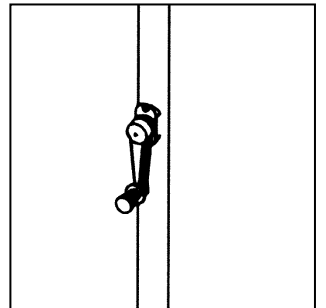
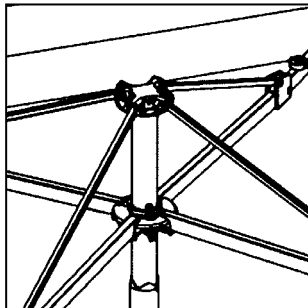
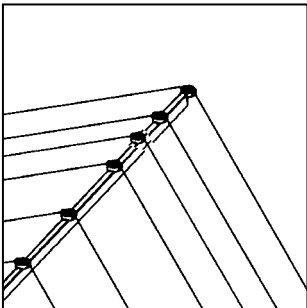
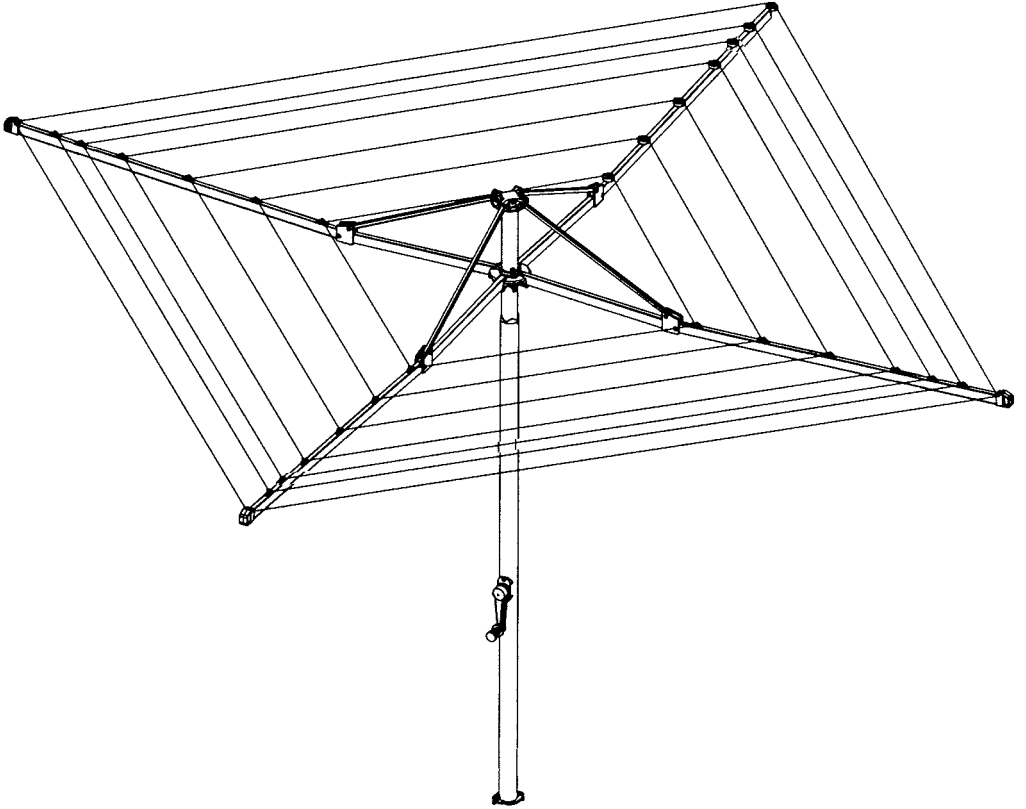




# **Hills**® *Traditional Rotary 42 Hoist*

## **Owner's Manual**



## Congratulations

Congratulations on the purchase of your new **Hills Traditional Rotary Hoist**, which will bring you many years of trouble free and efficient outdoor drying.

It is important that you read this Owner's Manual thoroughly before installation and use. In this way you will benefit from all of the design features and enjoy safe use of the product.

Thank you for choosing Hills.

## Warning

- Do not allow children or pets to swing on the Rotary Hoist or items of laundry.
- Do not use for any purpose other than to hang and dry washing.
- Do not use your Rotary Hoist if parts are worn or damaged.
- Patents and registered designs apply to this product.

## Carton Contents

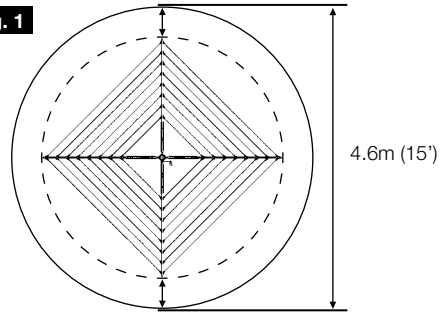
Part name	Qty.
Main standard	1
Head assembly	1
Ground socket	1
Accessory pack	1

## Site Selection

Select a suitable area for installation.

Allow 4.6m (15') diameter clearance for your Rotary Hoist (**Fig. 1**).

**Fig. 1**



## Install the Ground Socket

1. Dig a hole 250mm (10") diameter by approximately 650mm (26") deep (**Fig. 2**).

2. Place approximately 200mm (8") of coarse gravel into the hole.

3. Insert the main standard into the ground socket. Engage the locking collar and lock into position.

**Make sure** the tabs are closed to prevent concrete entering the locking recess.

4. Place the ground socket and main standard into the hole.

Push the base of the ground socket into the gravel.

Check level vertically.

The top of the ground socket must sit approximately 6-12mm (1/4"-1/2") above ground level.

5. Support the main standard and concrete into position.

Concrete should be damp enough to 'hold together' when squeezed in your hand.

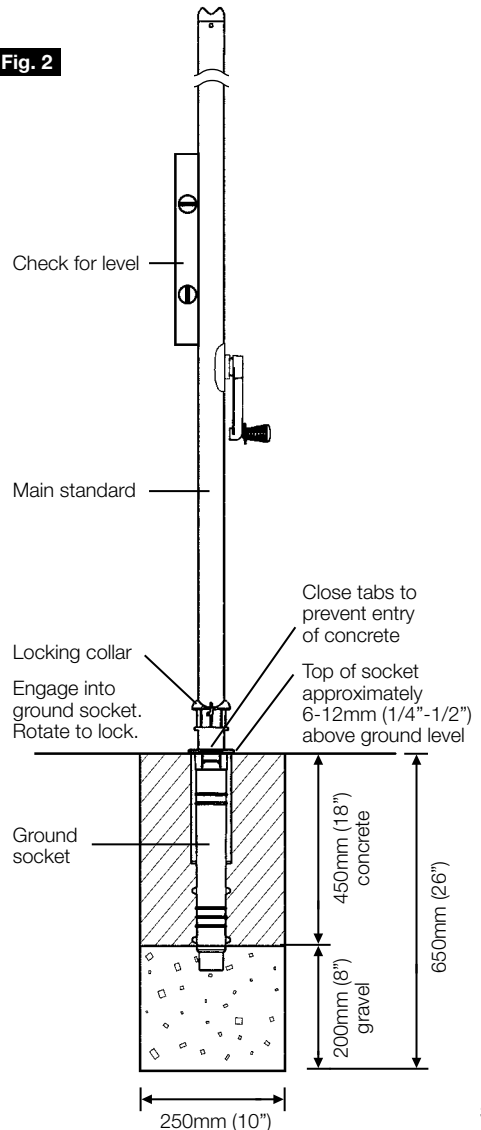
Settle concrete by pushing a thin stick into the mix several times.

**Leave the main standard in the ground socket until the concrete has set.**

**Keep concrete out of the locking recess in the ground socket.**

6. Allow 24 hours for the concrete to set before final assembly and use of your Rotary Hoist.

**Fig. 2**

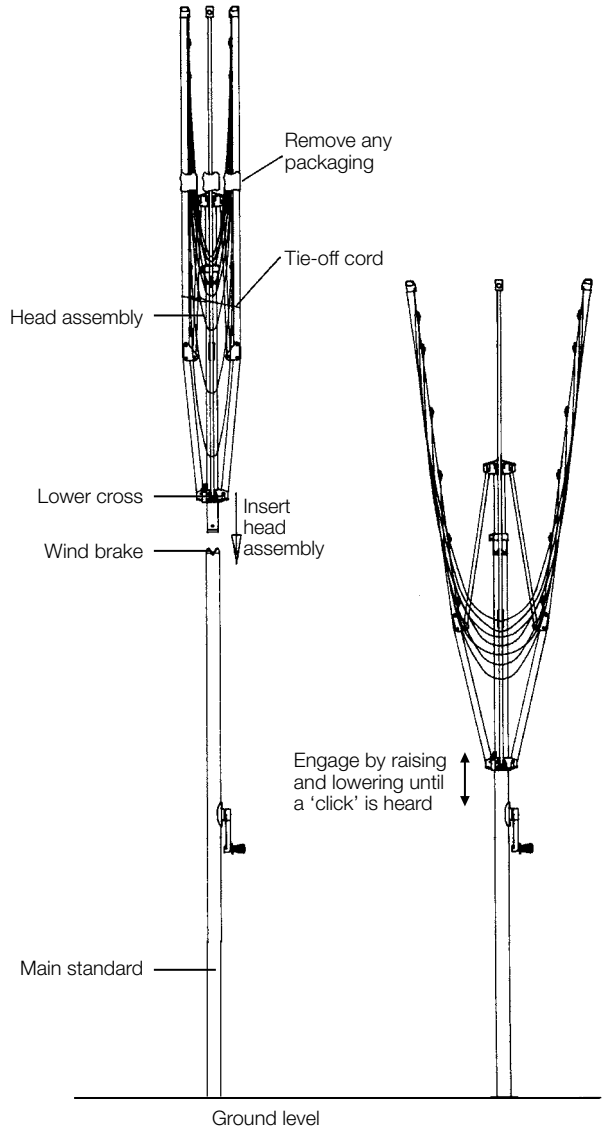


## Assemble the Hoist

**Fig. 3**

1. Remove any packaging from the head assembly.
2. Place the main standard in the ground socket.
3. Place the bottom of the head assembly into the top of the main standard and lower it gently until it stops (**Fig. 3**).
4. To engage, raise the head assembly by approximately 100mm (4") and lower until a 'click' is heard.
5. Check the head assembly is locked in position by lifting upwards (it should not move). If the head assembly is not engaged, repeat Step 4.

**Note:** there is a small amount of rotational movement between the wind brake and the lower cross latch. This is normal.



## Operating the Hoist

**1. To adjust the height of your Rotary Hoist,** wind the handle and head assembly down and then fit one or more of the plastic spacers in the ground socket. The suggested operating height is the user's head height +25mm (1") (**Fig. 4**).

**Note:** The height adjusting winding mechanism has an automatic device to disengage the handle at the maximum and minimum heights. A slight 'clicking' noise will be heard when this system is operating.

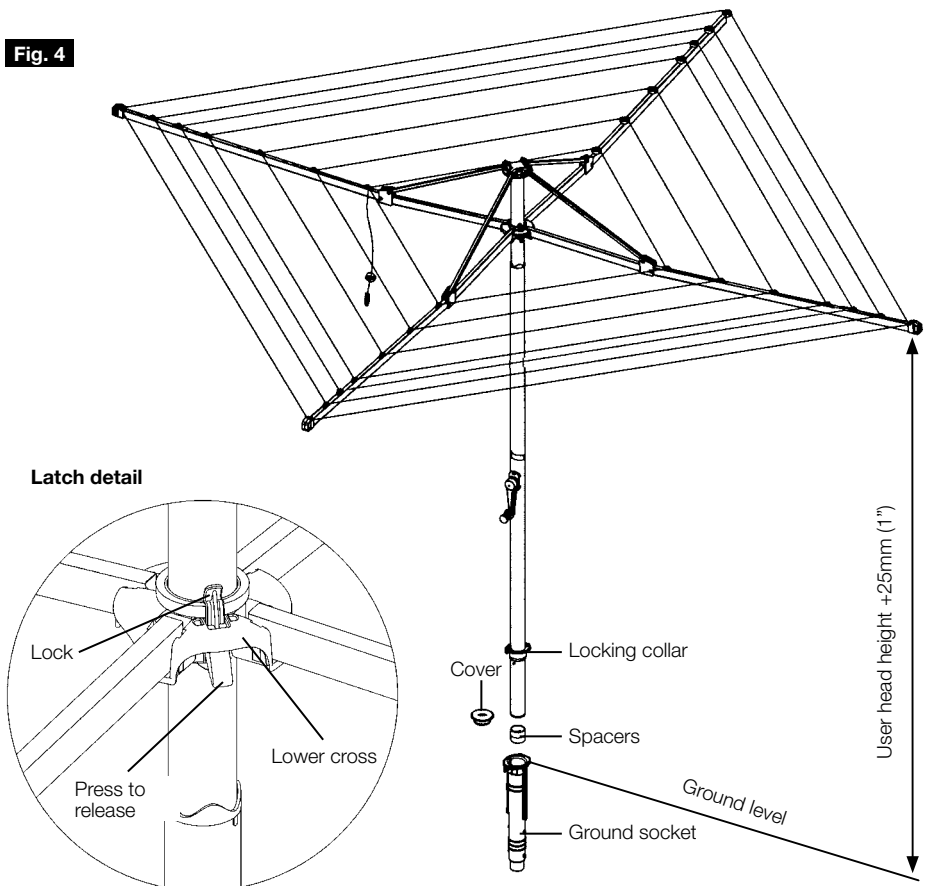
**2. To Open:** Undo the line tie-off cord. Make sure the lines are tangle free. Push the lower cross and arms up until the latch engages.

**3. To Fold:** Press the latch to release the lower cross. Place your hands on the arms and pull downwards.

**4.** Wrap and fasten the line tie-off cord around the hoist to prevent lines from becoming tangled.

**5. To Remove from the ground socket:** Unlock the locking collar by rotating anti-clockwise. Lift the Rotary Hoist from the ground socket and store in a suitable place. Insert the cover into the top of the ground socket.

**Fig. 4**



## Tensioning the Lines

The lines are pre-tensioned in the factory. No initial tensioning is required.

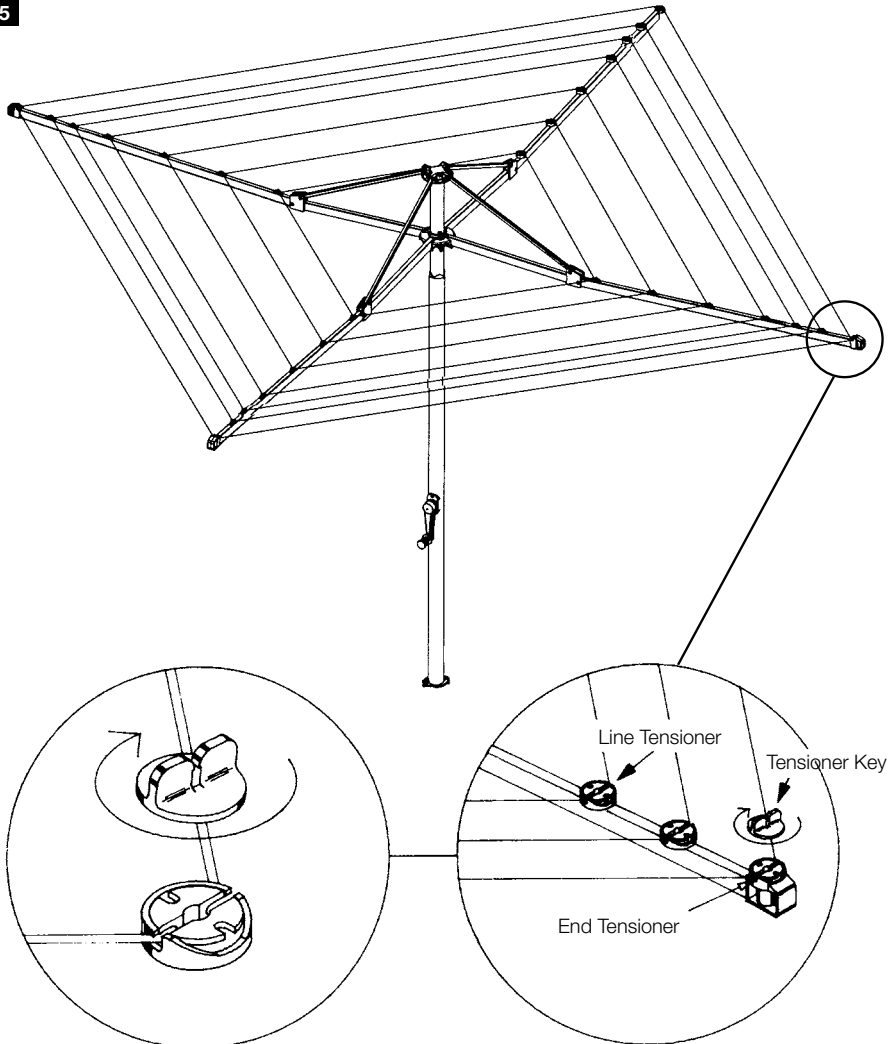
If over time, the line does need tensioning, the Rotary Hoist **must** be in the open position.

1. Insert the Rotary Hoist into the ground socket, open up and lock into position (**Fig. 5**)

2. Insert the tensioner key into the end tensioner and turn clockwise until the line sag has been removed.
3. Working towards the centre of the Rotary Hoist adjust the remaining line tensioners.

**Do not over tension the lines.**

**Fig. 5**



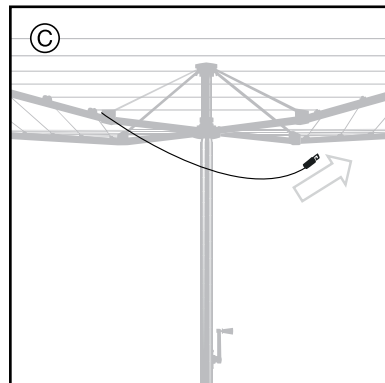
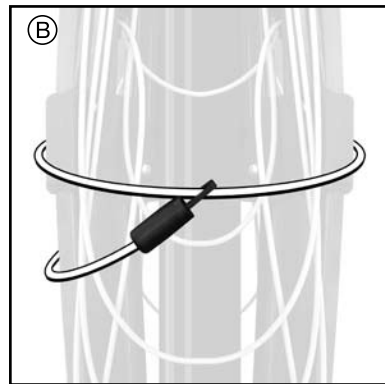
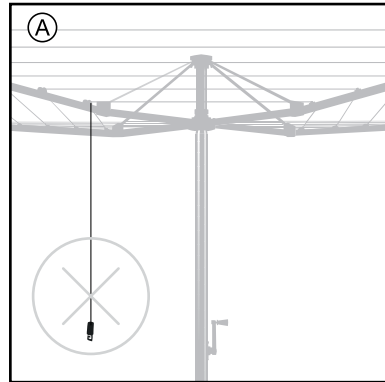
## Line Tie-Off Cord

**IMPORTANT:** The extended length of clothesline fitted with a plastic toggle is called the line tie-off cord, and is designed to keep lines neatly together when the Rotary Hoist is not in use.

Never leave the line tie-off cord in an unsecured position.

When the Rotary Hoist is not in use, fold the arms against the Main Standard and wrap the line tie-off cord around all of the arms, securing the clothesline. You may have to wrap the line tie-off cord around the arms twice.

When the Rotary Hoist is in use, securely fasten the line tie-off cord out of the way by stretching it between two arms and attaching the hook at the furthest most point from the origin.



### Hills Handy Hints

One of the benefits of a Rotary Hoist is that it spins naturally in the breeze, allowing the sun to shine on all your clothes and speed up drying time.

Raise your hoist for maximum drying efficiency and to ensure clearance for longer items.

The wind brake assists in the pegging and unpegging of clothes on windy days by restricting the free rotation of the clothesline. It can be engaged by winding the 'head' of the hoist fully down.

Place smaller items of clothing on the lines nearest the centre and work your way outwards for larger items.

When hanging thick or bulky items, you may hang the item over more than one line.

When you do not expect to fill the capacity of your hoist, hang your clothes on the outer lines, this will allow your clothesline to spin more easily.

### Care and Maintenance

It is a good idea to occasionally inspect all components and check for wear and tear or damage. If there is any damage, parts should be replaced with original Hills spares or the Hoist repaired before using again.

The hoist should be periodically wiped clean with a damp cloth and mild detergent.

Your Rotary Hoist can be easily folded and removed from the ground socket to give you extra garden space.

The hoist should be easy to remove from the ground, but if left for a period of many years it may become more difficult. It is recommended the hoist is lifted out of the ground at least every six months.



## Hills Guarantee

Hills Industries Limited undertakes that if any part of its manufacture has failed to operate correctly due to faulty workmanship or defective material, it will repair or replace the part free of cost for a period of SEVEN (7) years from date of purchase of the article, given fair wear and tear. The PVC line is guaranteed for a period of ONE (1) year. Evidence of unfair usage or incorrect adjustment by the owner will void this promise.

Hills Industries Limited will not be responsible for any costs in connection with freight or postage, or for expenditure necessary to dismantle the article, replace the part in position and re assemble the article.

This guarantee is in addition to any legal rights or remedies conferred on the consumer.

Hills Industries Limited does not recommend the application of a 'canopy' on any of their outdoor dryer range.

Unless any addition or attachment to this product has Hills specific approval or is sold as a Hills product the warranty on this product is waived. The product is designed to perform a specific task under established test loads and unauthorised attachments may produce stresses for which the design is not appropriate.

Designs, specifications and colours are subject to change without notice.

Please retain this Owner's Manual. Record the following information from the carton for future reference.

Product Number:.....

Date of purchase:.....

Name and location of store:.....

.....

## Hills Contacts

As a proudly Australian company we are committed to provide you with complete customer satisfaction. If you have questions about this product or find there are missing or damaged parts please contact your nearest Consumer Advice Centre during their local business hours.

### Australia

1300 300 564  
info@hills.com.au

### New Zealand

09 262 3052  
sales@hills.co.nz

### United States of America

877 534 1371 (Eastern)  
gsutterlin@verizon.net

### Canada

905 228 3725 (Eastern)  
hillscanada@hills.com.au

### South Africa

0800 600 432  
info@hillsolar.co.za

or visit **www.hills.com.au**



This product is designed and tested under a Quality System which complies with ISO 9001.

Made in China



**Hills Industries Limited**

A.B.N. 35 007 573 417

Issue October 2008

PD1971b